

符号/Symbol



规格/Specification

保证耐压力/ Ensured Pressure Resistance	1.5MPa(15kgf/cm ²)
最高使用压力/Highest Working Pressure	1.0MPa(10kgf/cm ²)
环境及流体温度/ Ambient and Fluid Temperature	5~60°C
建议用油/ Recommended Oil Use	透平1号油/ Turbine No1 Oil ISOVG32
容器材料 /Container Material	聚碳酸酯 /Polycarbonate
防护罩 /Protective Cover	AL2000(无/Not Available) AL3000~5000(有/Available)

型号 /Model	规格/Specifications				配件/Accessories
	注1)油滴最小流量 /Minimum Flow of Oil Drop(L/min)	注2)额定流量 /Rated Flow (L/min)	注3)接管口径 /Port Size (G)	杯容量(cm ³) /Bowl Capacity	托架 /Bracket
AL2000-02	15	800	1/4	25	B240
AL3000-02	30	1700	1/4	50	B340
AL3000-03	40	1700	3/8	50	B340
AL4000-04	50	5000	1/2	130	B440
AL4000-06	50	6300	3/4	130	B540
AL5000-06	190	7000	3/4	130	B640
AL5000-10	190	7000	1	130	B640

注1) 供应压力为0.5MPa(5.1kgf/cm²)，油滴流量为5滴/分钟，透平1号油(SOVG32)温度20°C情况下。

注2) 供应压力为0.5MPa(5.1 kgf/cm²)，压降为0.03MPa(0.3 kgf/cm²)情况下。

注3) 接管口径另有Rc、NPT，螺纹可供选择。

Note 1) Under the circumstance that the supply pressure is 0.5MPa(5.1 kgf/cm²), oil drop flow is 5 drops/minute, use of Turbine No. 1 Oil (SOVG32) and 20°C temperature.

Note 2) Under the circumstance that the supply pressure is 0.5MPa(5.1kgf/cm²)and pressure drop is 0.03MPa(0.3kgf/cm²).

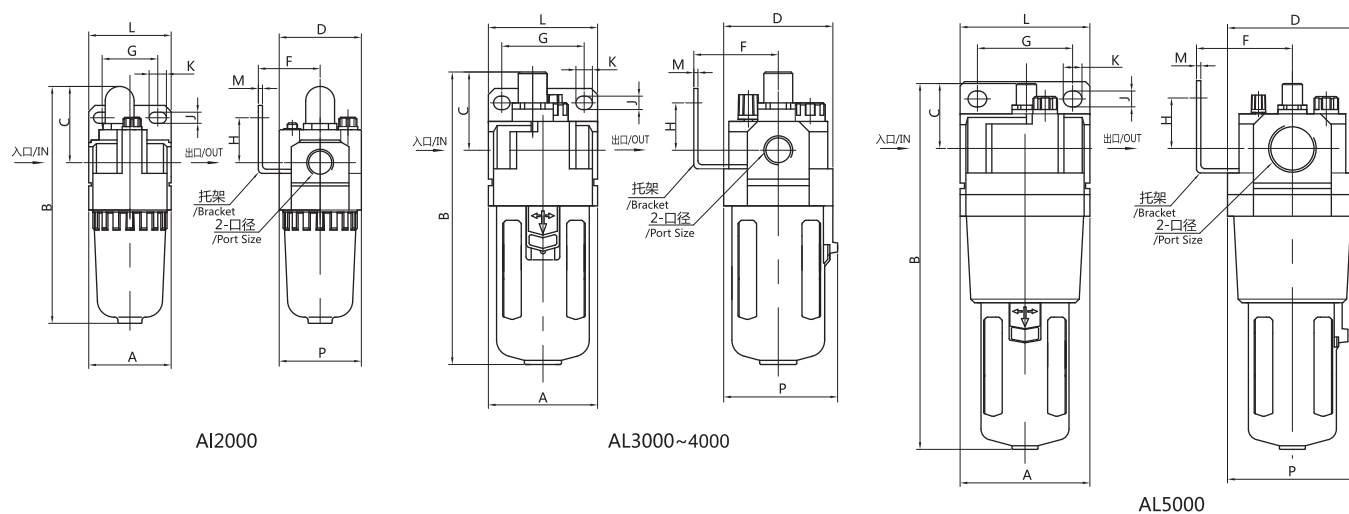
Note 3) Rc and NPT thread are available.

AL5000

主零件/Main Parts

序号 /No.	名称/Denomination	材料/Material	
		AL2000-4000	AL5000
1	阀体/Valve Body	铝压铸件/ Aluminum Die Casting	
2	油窗/Oil Window	聚碳酸酯/ Polycarbonate	
3	加油螺塞/Oil Feed Plug	ABS	
4	导向挡板/Guide Retainer	ABS	
5	调油手柄/Oil Adjusting Handle	ABS	
6	油杯(防护罩)/Oil cup(Protective Cover)	聚碳酸酯(冷轧板)/Polycarbonate(Cold Rolled Sheet)	
7	O形圈/O-ring	橡胶/Rubber	
8	挡板/Retainer	聚氨酯/Polyurethane	
9	O形圈/O-ring	橡胶/Rubber	
10	中间体/Middle part	铝压铸件 Aluminum Die Casting	

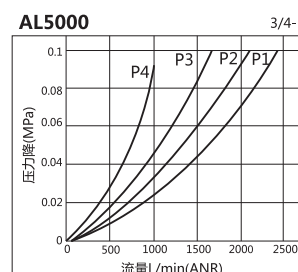
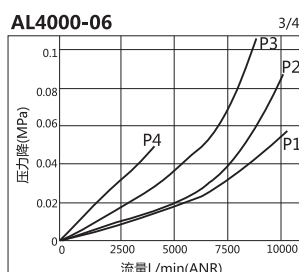
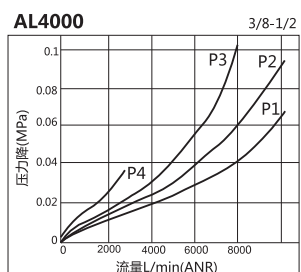
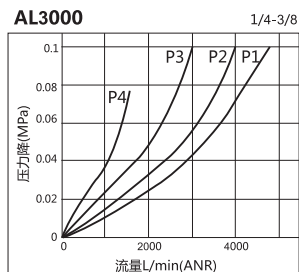
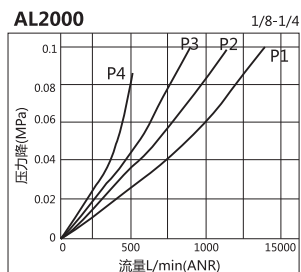
外形尺寸图/ Overall Dimension Drawing(mm)



尺寸表/Dimension Form (mm)

型号/Model	口径/Port Size(G)	A	B	C	D	F	G	H	J	K	L	M	P
AL2000-02	1/4	40	118	38	40	30	27	22	5.4	8.4	40	2.3	40
AL3000-02	1/4	53	142	38	53	41	40	23	6.5	8	53	2.3	56
AL3000-03	3/8	53	142	38	53	41	40	23	6.5	8	53	2.3	56
AL4000-04	1/2	70	177	41	70	50	54	26	8.5	10.5	70	2.3	73
AL4000-06	3/4	75	177	39	70	50	54	25	8.5	10.5	70	2.3	73
AL5000-06	3/4	90	254	45	90	66.5	66	35	11	13	90	3.2	90
AL5000-10	1	90	254	45	90	66.5	66	35	11	13	90	3.2	90

流量特性曲线/ Characteristic Curve of Flow Rate



注：P1=0.7MPa P2=0.5MPa P3=0.3MPa P4=0.1MPa